

## TECHNICAL DATA SHEET

Effective date: 01.2020  
Rev.0

### Roll-on glass bottle, 10 ml

#### INFORMATION ON THE PRODUCT

10 ml white mini roller bottle	
material	glass
screw thread	16 mm
weight	21 g
full rim volume	11.5 ± 0.6 ml
16 mm white caps for 10 ml mini roll-on bottles	
material	polypropylene
weight	approx. 2 g
natural-colored fitment with mounted, natural-colored ball suitable for 10 ml roll-on bottles	
material	LDPE
weight	approx. 2 g

#### MATERIALS CONFORMITY DECLARATION

We do hereby certify that the quality of the above mentioned items delivered to you :

- accordingly to the systematic controls on the working process;
- accordingly to the following statistic controls;

is conform to our Sales Specifications in force at the present date.

Eurovetrocap guarantees the functionality of the supplied items.

Is a customer's responsibility to check the chemical compatibility as well as the seal with the specific products.

Furthermore we do declare that the packaging for the cosmetic and pharmaceutical field supplied by us is fully conform to what foreseen by the current law.

➤ **Plastic**

- ✓ D.M. of 21/03/73 published on the G.U. 104 del 20/04/1973 with D.M. 220 of 26/04/1993 and subsequent updatings (for material intended to come in contact with food and drugs);
- ✓ 2002/72/CE Directive and subsequent updatings; 2023/2006/CE Directive;
- ✓ 94/62/CEE Directive, granted by D.L. N° 22 of 05/02/97 Art. 43 C 4 on the content of heavy metals.;
- ✓ 1935/2004/CE Regulation.

➤ **Pharmaceutical glass end Rubber**

- ✓ D.M. of 21/03/73, 2002/72/CE, 94/62/CEE Directives and 1935/2004/CE Regulation (as above for plastic);
- ✓ European Pharmacopea 6° edition;
- ✓ American Farmacopea USP XXXII edition.

➤ **Cosmetic glass**

- ✓ D.M. of 21/03/73, 94/62/CEE Directives and 1935/2004/CE Regulation (as above for plastic);
- ✓ Containers for its chemical composition and characteristics are conform to what foreseen for objects in glass of Category A (Encl. 2° Sect. 5 D.M. dd 21 March 1973) and from Art. 2 paragraph 1, a) b) c) from D.L. N° 108/92 and are suitable for food packaging.

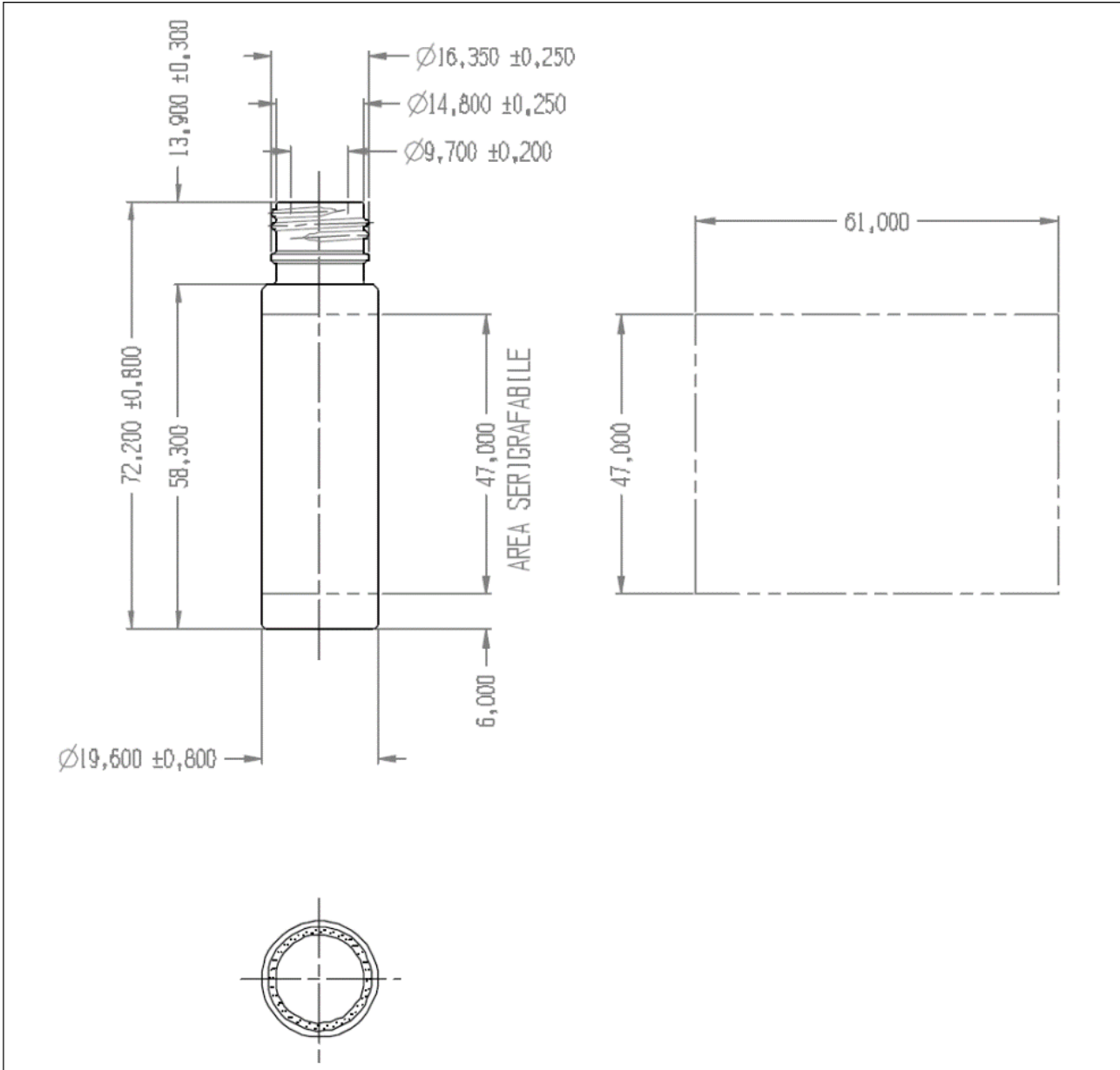
**TECHNICAL DATA SHEET**

Effective date: 01.2020  
Rev.0

**Roll-on glass bottle, 10 ml**

**TECHNICAL DRAWINGS**

**10 ml white mini roller bottle**

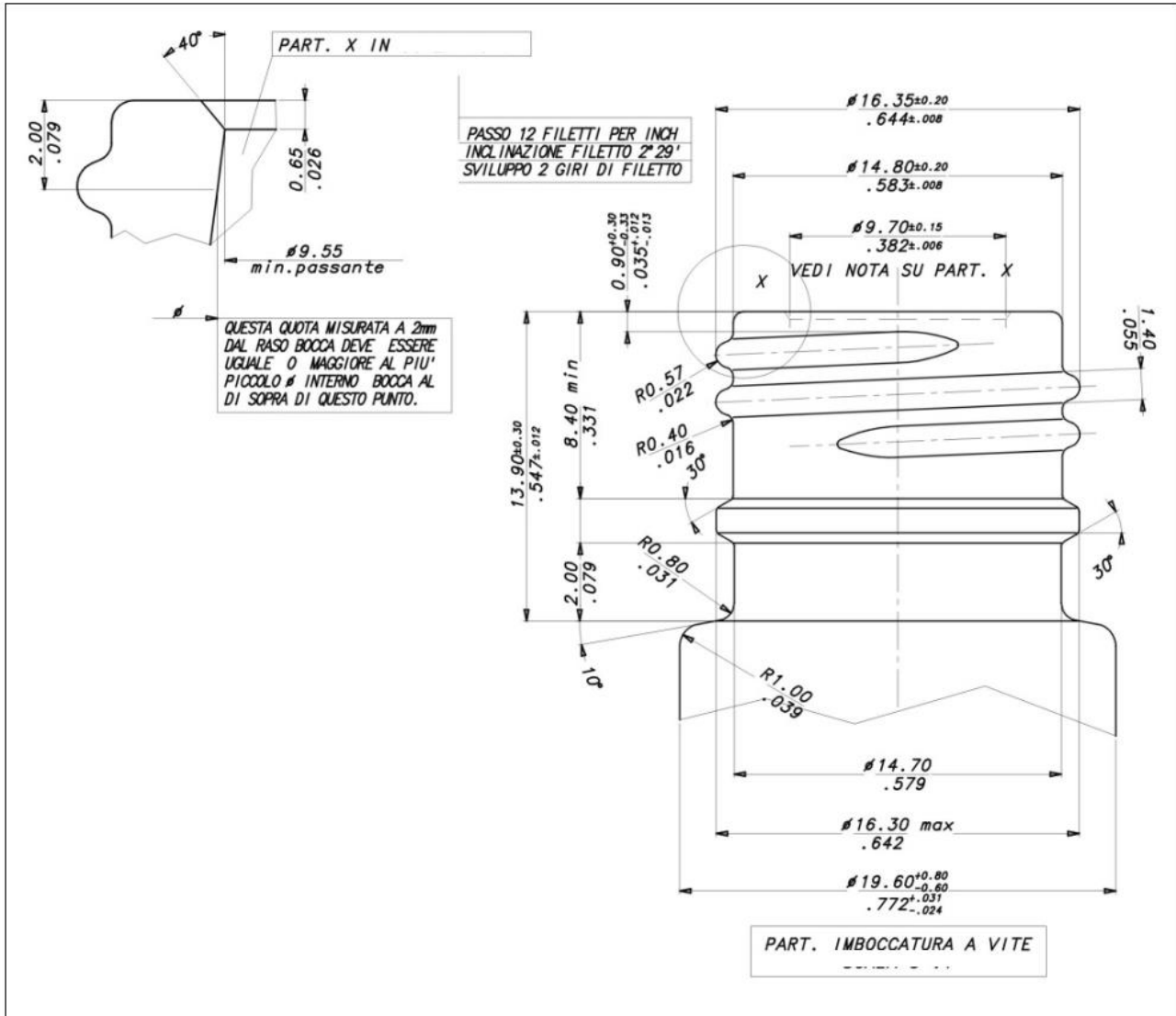


**TECHNICAL DATA SHEET**

Effective date: 01.2020  
Rev.0

**Roll-on glass bottle, 10 ml**

**Muzzle**



**TECHNICAL DATA SHEET**

Effective date: 01.2020  
Rev.0

**Roll-on glass bottle, 10 ml**

**16 mm white caps**

