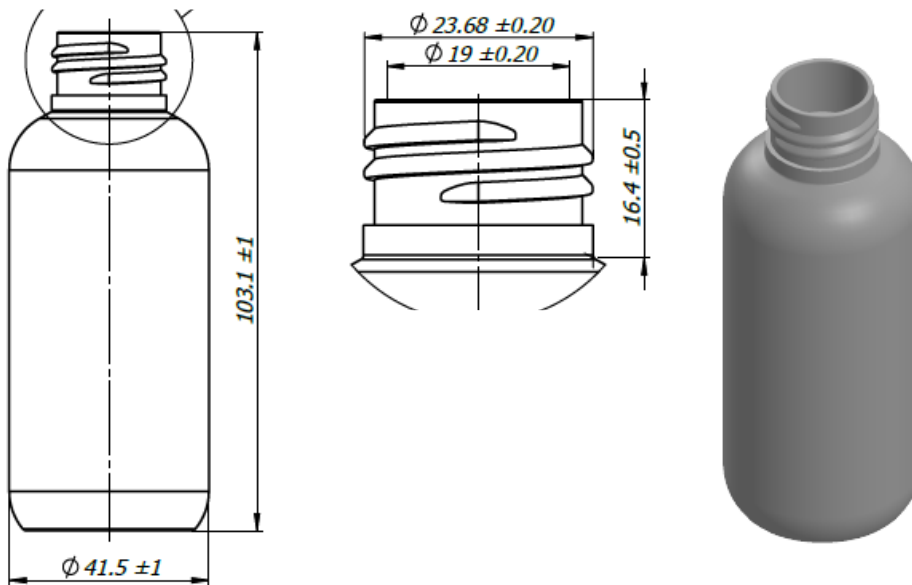


TECHNICAL DATA SHEET

Effective date: 04.2021
Rev.0

Boston pet bottle 24/410, 100 ml

TECHNICAL DRAWINGS



Material jar	PET (polyethylene terephthalate)
Brimful Volume	110 +-4 ml
Nominal Volume	100 ml
Weight	12 +- 1g
Neck / Thread	24/410
Height mm	103,1
Diameter of base mm	41,50
Color	Amber

Ultimately customers must make their own determination that their use of our product is safe, lawful (except as provided in the above certifications) and technically suitable in their intended applications.